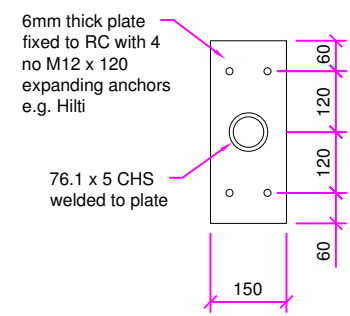
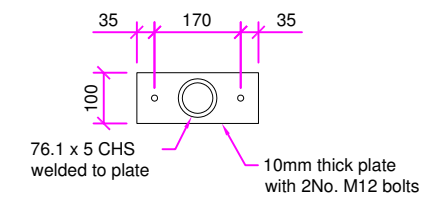


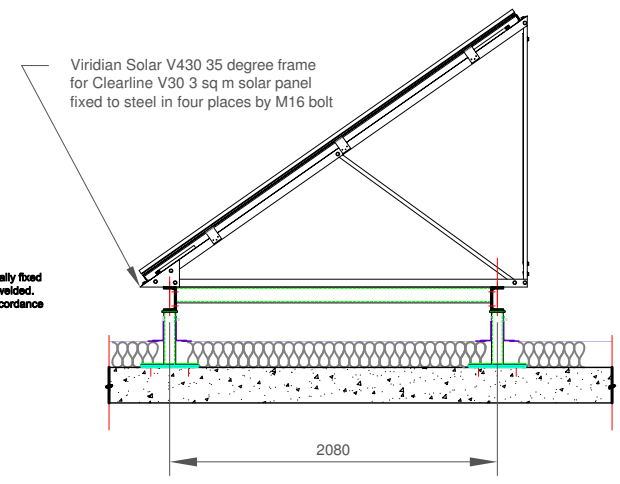
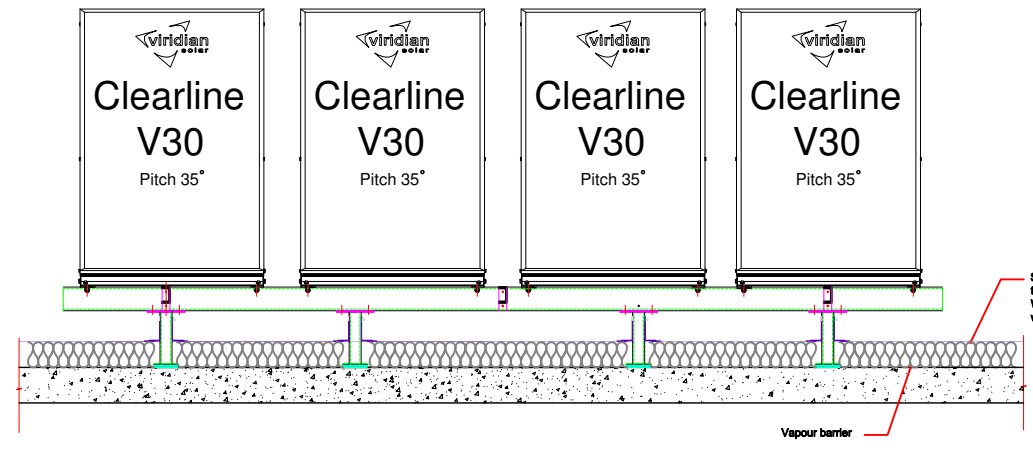
SECTION 1-1



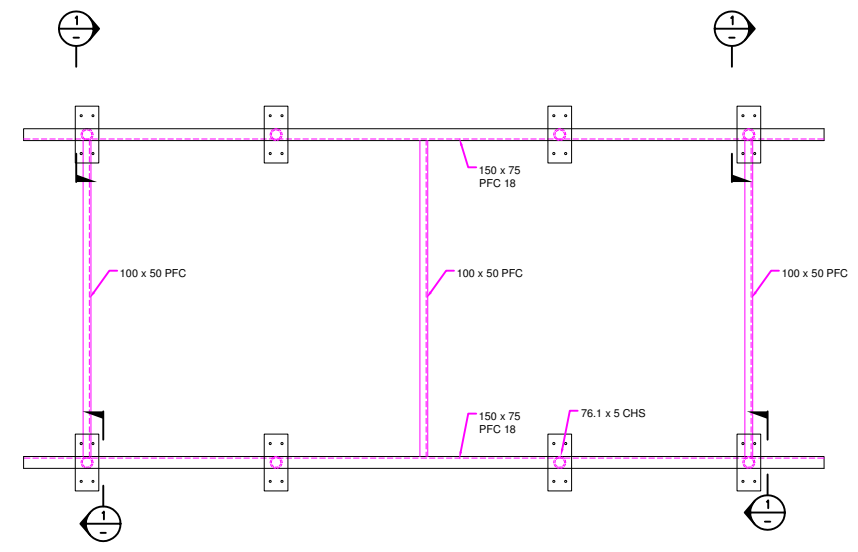
BASE PLATE DETAIL A



BASE PLATE DETAIL B



Spacing shown is for a V430 frame. See drawing ISP010 for other panel and frame combinations.



| ISSUE | DESCRIPTION | DATE | APPD |
|-------|----------------|------------|------|
| 0 | Original Issue | 26.02.2009 | |
| | | | |
| | | | |

DISCLAIMER
 This drawing is a standard detail and is for illustrative purposes only. Viridian Solar can supply wind loading calculations for the specific project. The project design team must satisfy themselves of the details and incorporate the principles within their own design.



Viridian Solar
 Brook Road, Bassingbourn,
 Cambridgeshire. SG8 5NT
 T 01763 853 007
 www.viridiansolar.co.uk

| | |
|--|--------------------|
| TITLE Typical Flat Roofing Detail Concrete Slab, Decking, Insulation and Single Ply Membrane | |
| DRAWN SAE | DATE 09.02.2009 |
| DRAWING NUMBER ISP 013 | SCALE |