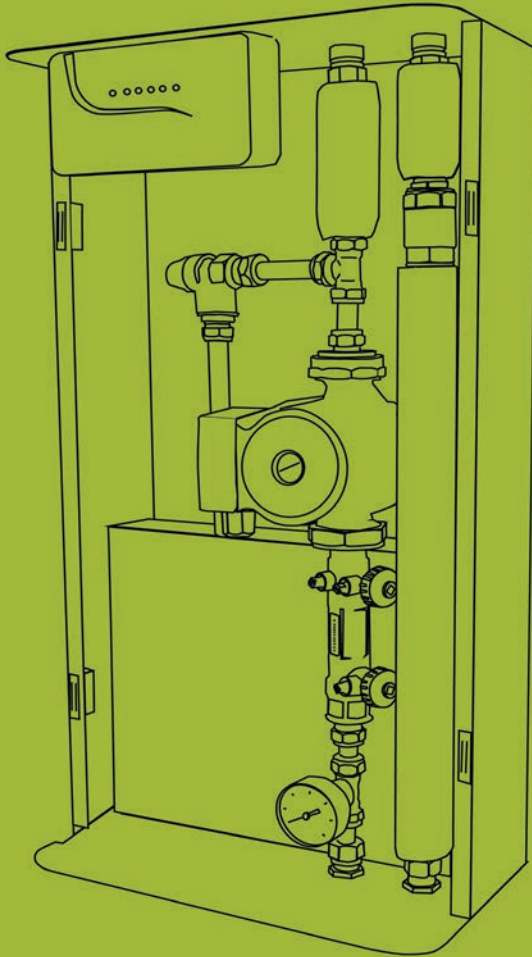
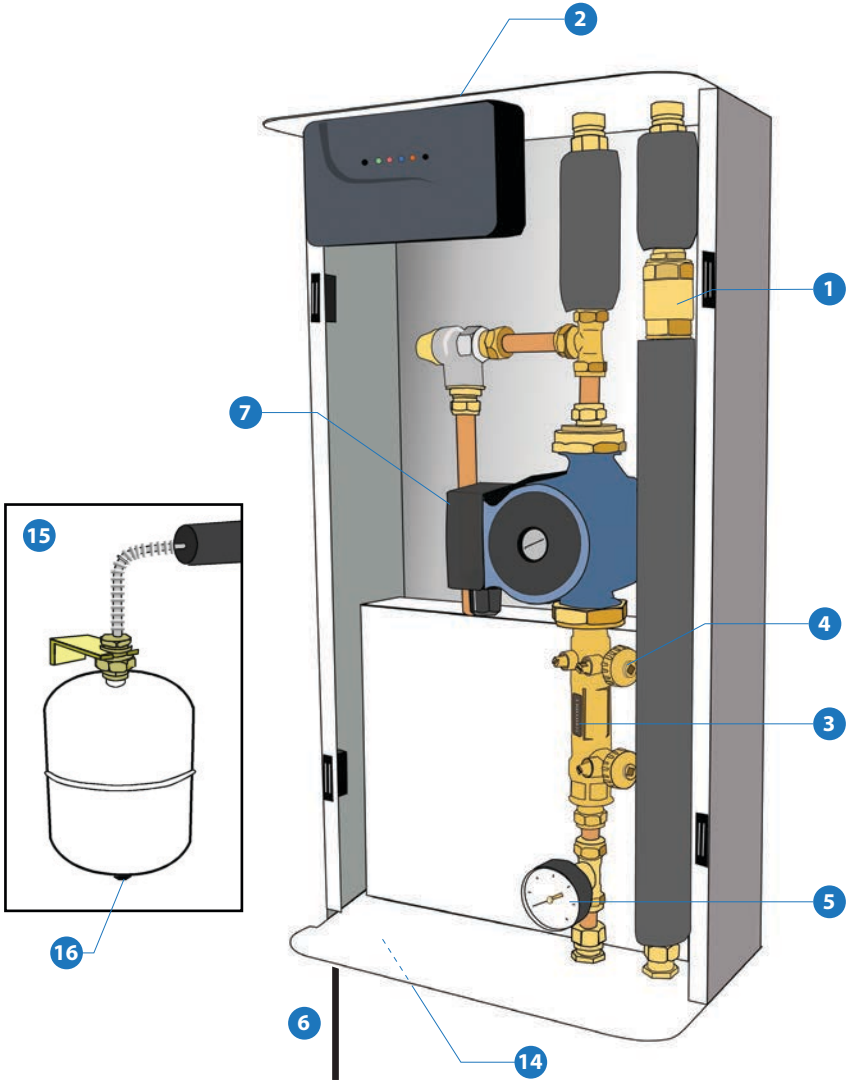


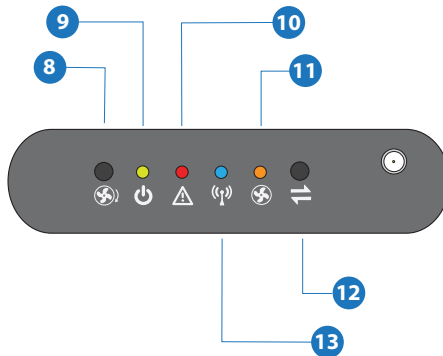
Commissioning Manual



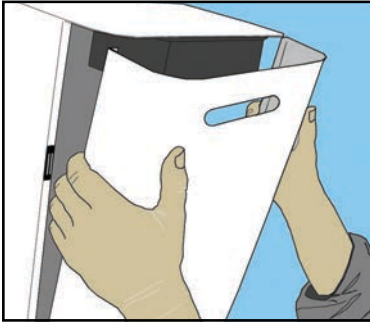


Key

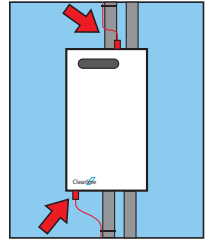
No.	Description
1	Non-return valve
2	Panel sensor cable socket
3	Flow indicator
4	Filling set
5	Pressure gauge
6	Power cable
7	Pump speed selector
8	Pump test button
9	Power indicator light
10	Error indicator light
11	Pump indicator light
12	Connect with Clearline Aura - available separately
13	Wi-fi activity light
14	Cylinder sensor cable socket
15	Expansion vessel
16	Expansion vessel gas valve



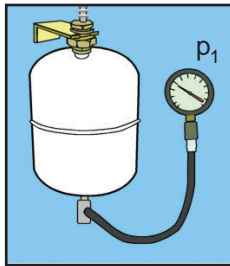
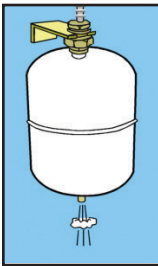
1



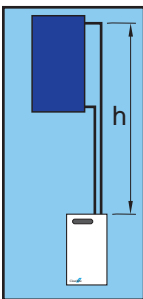
The control unit should be secured to the wall and connected according to the V260 Plumbing Installation Manual. Check that the panel sensor cable and cylinder sensor cable are connected to the corresponding sensor sockets (2, 14).



2

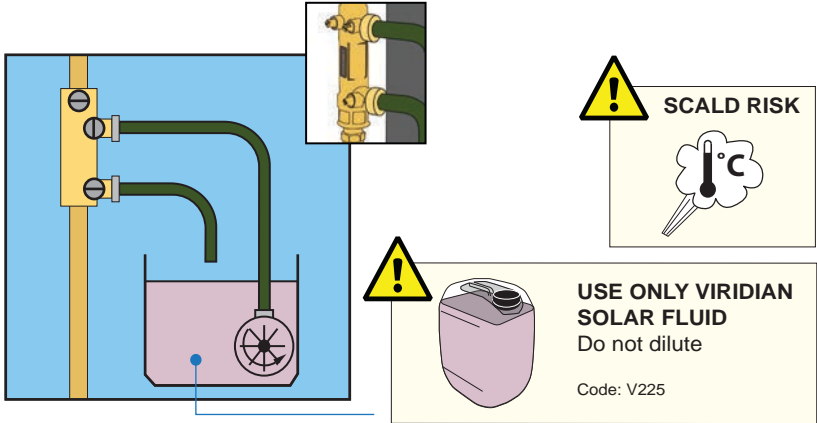


Set the gas side pressure on the expansion vessel (15) by letting gas out of the valve (16). The table shows the pressure setting based on the vertical height to the solar panel.



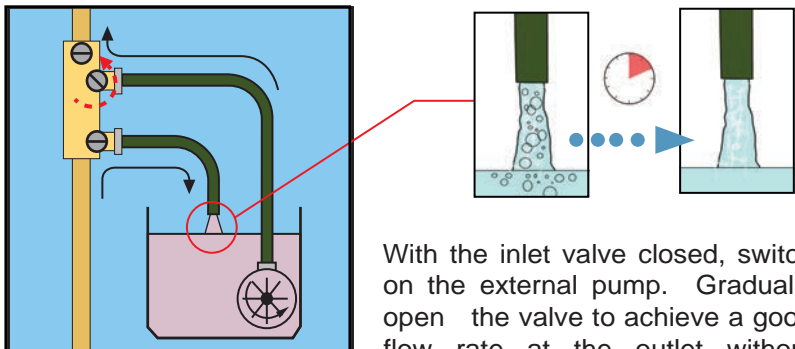
h (m)	p_1 (bar)
0 - 8	1.3
8-12	1.6
12-15	1.8

3



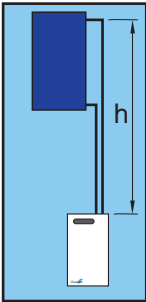
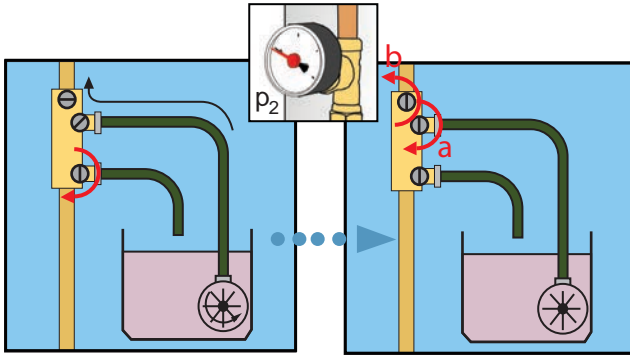
Ensure the hot water cylinder is filled to reduce the risk of scalding and that any motorised valve in the solar loop is in the open position. Connect an external filling pump to the filling set (4). The upper connector is the inlet, the lower connector is the outlet.

4



With the inlet valve closed, switch on the external pump. Gradually open the valve to achieve a good flow rate at the outlet without exceeding the 3 bar rating of the pressure relief valve. Do not rely on the system pressure gauge (5) during filling. Continue pumping until the return flow is bubble-free.

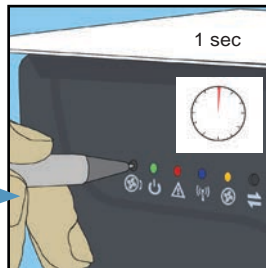
5



h (m)	p ₂ (bar)
0 - 8	1.5
8-12	1.8
12-15	2.0

Close the outlet valve and continue pumping to pressurise the system to the level given in the table. Close the inlet valve and switch off the external pump set. Open the intermediate valve.

6

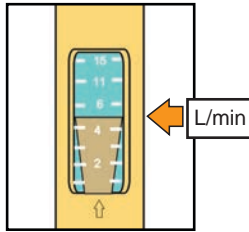
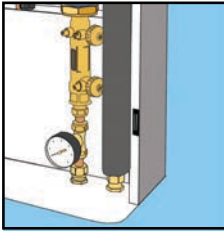


1 4 min	
+1 12 h	
+1 Automatic solar control	/

Switch on the power (6). Press the pump test button (7) and hold for one second to run the pump for 4 minutes.

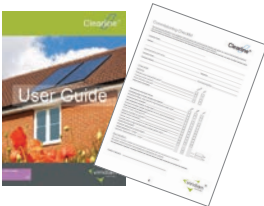
Two pump test modes are accessible by pressing the pump test button (8). The mode is indicated by the number of flashes of the pump indicator light (11)

7



Panel Area (m ²)	Typical Flow (L/min)
2	2.0
3	2.5
4	3.5
6	5.0

Check the flow indicator (3). Adjust the pump speed selector (7) to achieve a flow rate as indicated in the table



Complete and sign the Commissioning Checklist in the User Guide.

Error Messages



An error is indicated by the red light. The number of times the light blinks off per ten second period identifies the error.

Blinks per 10 sec.	Error	Remedial Action
1	Pump Error	Check pump, check for airlock or blockage
2	Cylinder Sensor Open Circuit	Reconnect sensor cable to controller
3	Cylinder Sensor Closed Circuit	Reconnect sensor cable to controller
4	Panel Sensor Open Circuit	Reconnect sensor cable to controller
5	Panel Sensor Closed Circuit	Reconnect sensor cable to controller
10	Microcontroller Error	Power down 10 seconds, then on again

Viridian Solar
Atlas Building, Stirling Way
Papworth, Cambridge.
CB23 3GY
T 01480 831 501
F 01480 831 831
www.viridiansolar.co.uk

